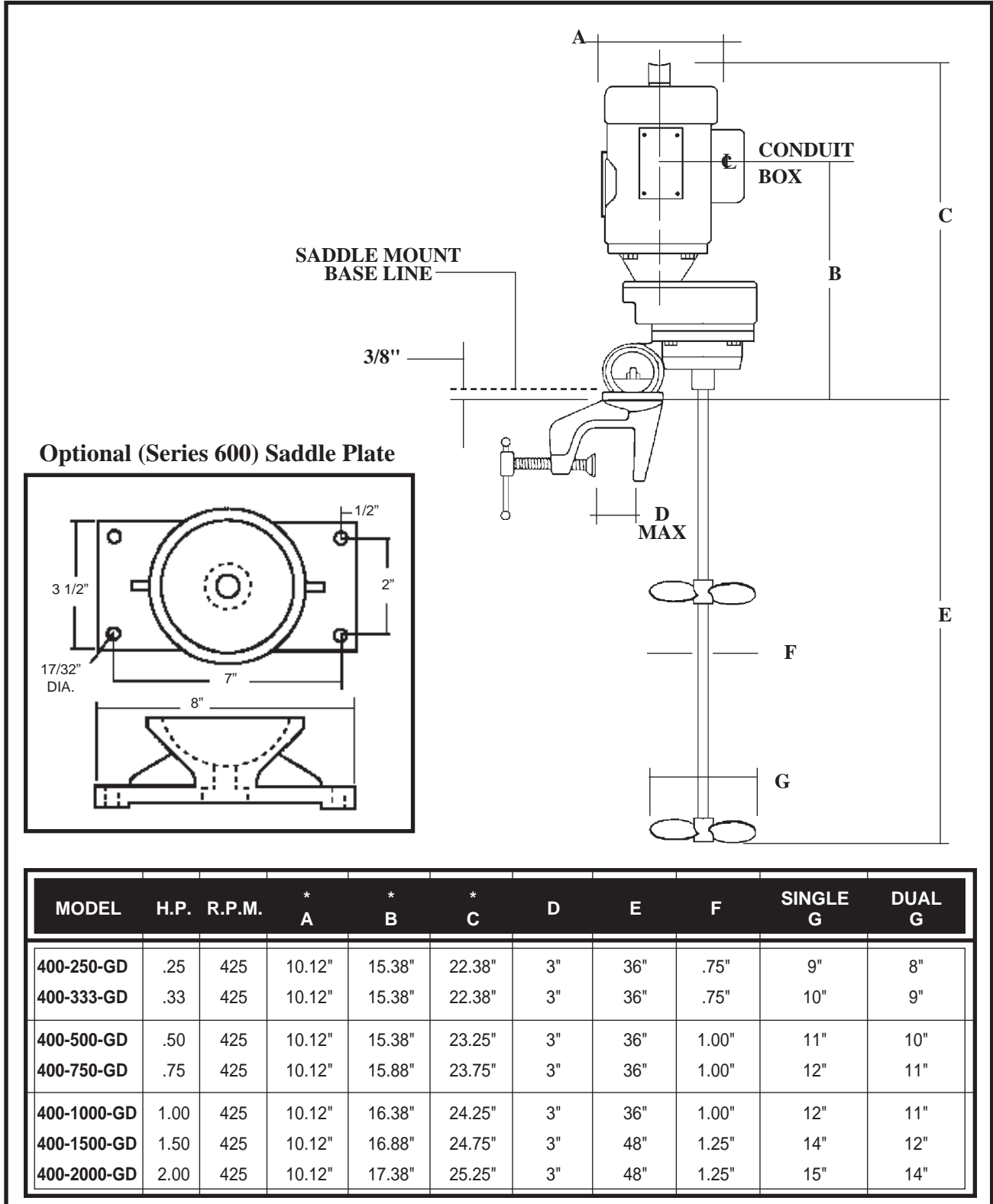




# SPECIFICATION SHEET SERIES 400 GEAR DRIVE

Avail Models: Electric (TEFC), Air, X-proof, Vari-speed

4310 North 126th Street Brookfield, WI 53005 ( U.S.A.)  
 Phone: 262-781-5020 Fax: 262-781-8120  
[www.grovhac.com](http://www.grovhac.com)



\* MAY VARY WITH PHASE OR ENCLOSURES.